

IKNO, a user facility for coherent terahertz and UV synchrotron radiation

Fernando Sannibale,^{a*} Augusto Marcelli^b and Plinio Innocenzi^c

Received 26 April 2008

Accepted 28 July 2008

^aLawrence Berkeley National Laboratory, Berkeley, CA 94720, USA, ^bIstituto Nazionale di Fisica Nucleare, Laboratori Nazionali di Frascati, 00044 Frascati, Italy, and ^cUniversity of Sassari, 074041 Alghero, Italy. E-mail: fsannibale@lbl.gov

IKNO (Innovation and KNOWledge) is a proposal for a multi-user facility based on an electron storage ring optimized for the generation of coherent synchrotron radiation (CSR) in the terahertz frequency range, and of broadband incoherent synchrotron radiation ranging from the IR to the VUV. IKNO can be operated in an ultra-stable CSR mode with photon flux in the terahertz frequency region up to nine orders of magnitude higher than in existing third-generation light sources. Simultaneously to the CSR operation, broadband incoherent synchrotron radiation up to VUV frequencies is available at the beamline ports. The main characteristics of the IKNO storage and its performance in terms of CSR and incoherent synchrotron radiation are described in this paper. The proposed location for the infrastructure facility is Sardinia, Italy.

© 2008 International Union of Crystallography
Printed in Singapore – all rights reserved

Keywords: synchrotron radiation source; terahertz; coherent synchrotron radiation; UV.

1. Introduction

The interest in science using radiation in the terahertz region is steadily increasing (Sherwin *et al.*, 2004) (THz network: <http://www.thznetwork.org/>). The availability of high-power short-pulse radiation in this low-energy range is very important for studying collective excitations in solids, protein conformational dynamics, superconductor band-gaps and electronic and magnetic scattering. Unluckily, generating radiation of significant intensity in this frequency range, between microwave and the infrared, is not straightforward, and this region is often referred to as the 'terahertz gap'. Many fields are largely unexplored owing to the lack of intense sources, and a facility capable of providing short-pulsed and high-average-power radiation in this spectral region may offer unique opportunities for probing chemical, physical and biological processes and support high-tech and space researches and applications.

In the last years there has been significant progress in the understanding of coherent synchrotron radiation (CSR) in electron storage rings. A model accounting for the CSR terahertz random bursts observed at high single-bunch current in many rings was proposed (Stupakov & Heifets, 2002; Venturini & Warnock, 2002) and experimentally verified (Byrd *et al.*, 2002; Abo-Bakr *et al.*, 2003a). Stable CSR was produced for the first time in a storage ring (Abo-Bakr *et al.*, 2002, 2003b) and a theoretical model accounting for the observations was developed (Sannibale *et al.*, 2004a,b). A new technique based on the energy modulation of a fraction of the electron beam by a femtosecond laser pulse that can generate

intense sub-picosecond pulses of terahertz CSR has been developed and characterized (Zholents & Zolotarev, 1996; Byrd *et al.*, 2005a, 2006a,b; Holldack *et al.*, 2005, 2006; Heifets & Stupakov, 2006; Bielawski *et al.*, 2008). In this scheme the intrinsically synchronous sub-picosecond pulses of CSR and of the modulating laser allow for high-time-resolution pump-and-probe experiments. CIRCE (Barry *et al.*, 2002; Byrd *et al.*, 2004, 2005b), a ring-based source completely optimized for the generation of coherent terahertz synchrotron radiation that exploits the full complement of the CSR production mechanisms mentioned above, was proposed at the Lawrence Berkeley National Laboratory (Barry *et al.*, 2002; Byrd *et al.*, 2004, 2005b).

Terahertz CSR has also been generated in schemes using linear accelerators. Remarkable examples can be found by Carr *et al.* (2002) and Shen *et al.* (2007). Additionally, most of the so-called future fourth-generation light sources (sources based on energy-recovery linacs and free-electron lasers) include one or more ports for THz CSR in their layout. In general, storage-ring-based sources show a potentially higher stability and are capable of accommodating a larger number of users, while linac-based sources can potentially achieve a higher peak power in the single radiation pulse. Overall the two schemes show significant complementary characteristics that can cover the whole spectrum of science in the field.

We are proposing IKNO (acronym for Innovation and KNOWledge but also the ancient name of the Sardinia island in Italy), a ring-based multi-user facility optimized for the generation of THz CSR, to be built in Sardinia. IKNO is a more compact version of CIRCE and is capable of a calculated

photon flux exceeding by more than nine orders of magnitude that of existing synchrotron light sources. In addition to the THz CSR mode, IKNO allows for dedicated and parasitic modes of operation for the generation of broadband incoherent synchrotron radiation in a wide spectral range and with flux comparable with that in modern third-generation light sources.

2. The IKNO storage ring

Table 1 shows the main parameters for the IKNO electron storage ring. The lattice includes six double-bend (DB) cells with two 30° bending magnets and 3.1 m-long straight sections between the arcs. The linear dynamics of the electrons in the ring are defined by the magnetic field settings in the cell and can be described by the so-called optical functions. The DB optical functions for IKNO are shown in Fig. 1.

The bending magnets (B) include a gradient of $\sim 2.1 \text{ T m}^{-1}$ at 600 MeV that provides the focusing in the vertical plane. Three families of quadrupole magnets (Q_1, Q_2, Q_3) all focusing in the horizontal plane define the transverse tunes (frequency of the electron oscillation in the transverse plane) and allow for the control of the first-order momentum compaction (longitudinal dispersion term). This task is accomplished by changing the value of the transverse dispersion η_x on the straights while keeping constant the transverse tunes. In this way the first-order momentum compaction of the ring can be continuously tuned from positive to negative values (Fig. 1 shows the lattice with a first-order momentum compaction of 0.0013). This capability is of extreme importance because the CSR performance of the ring strongly depends on the control of the momentum compaction and of its higher-order terms. Three families of sextupole magnets (S_1, S_2, S_3) permit chromaticity correction (transverse tune dependence on the particle energy) and tuning of the second-order term of the momentum compaction. Finally, additional coils in each of the quadrupole magnets can generate an octupolar field component for the direct control of the third-order term of the momentum compaction.

Table 1
IKNO ring main parameters.

Energy (MeV)	600
Ring length (m)	60
Natural emittance (nm)	41
Relative energy spread (r.m.s.)	0.46×10^{-3}
RF frequency (GHz)	1.5
RF voltage (MV)	1.2
Harmonic number	300
Bend radius (m)	1.335
Energy lost per turn (incoherent synchrotron radiation) (keV)	8.6
Damping times (ms)	
Horizontal	24.5
Vertical	28.0
Longitudinal	15.0
Horizontal betatron tune	5.15
Vertical betatron tune	4.2
Horizontal chromaticity	-7.1
Vertical chromaticity	-21.75

Downstream of each of the bending magnets a drift of $\sim 0.5 \text{ m}$ allows for the stay-clear area required by the beamline front ends. In the present layout, such front ends include a 45° in-vacuum mirror that reflects the synchrotron radiation upwards and through a viewport that separates the storing vacuum from that of the beamlines.

Transverse tunes and natural chromaticities are shown in Table 1. The tunes for the horizontal and vertical planes have been chosen exploiting the results of calculations previously carried out for CIRCE that showed a good dynamic aperture (acceptance for large orbit deviation) in this tune region, allowing for an easy injection of the electron beam in the ring and for a good beam lifetime (Nishimura *et al.*, 2004).

The maximum magnet strengths required for tuning the ring among a variety of lattices and chromaticity values are always smaller than 5 m^{-2} for the 20 cm-long quadrupoles, and 50 m^{-3} for the 15 cm-long sextupoles. Those strengths at 600 MeV electron energy correspond to modest gradient values of 10 T m^{-1} and 100 T m^{-2} for the quadrupole and the sextupole, respectively (readily achievable using conventional technology).

Requirements on the IKNO beam emittance (phase space volume occupied by the electron beam) are quite relaxed because the photon source size is diffraction limited in the terahertz region. This situation allows for a relatively large natural emittance and coupling (ratio between vertical and horizontal emittance) values with a consequently lower beam particle density that reduces electron–electron scattering in the electron bunch (Touschek effect) with a beneficial impact on the beam lifetime.

The RF voltage necessary for restoring the energy radiated by the particles (1.2 MV at 1.5 GHz) can be obtained by multiple normal-conducting cavities or by a single superconducting cavity.

The vacuum chamber in the dipole magnets and the first in-vacuum mirror must be designed with a large vertical acceptance for matching the large emission angle of the terahertz synchrotron radiation for an efficient extraction of the radiation itself. We are planning to use the scheme proposed by

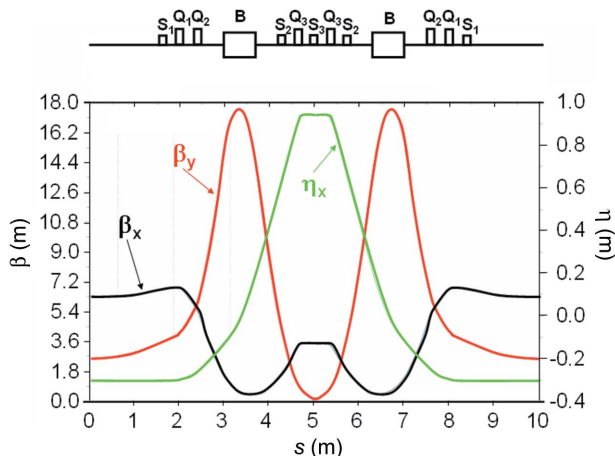


Figure 1
IKNO DB cell optical functions.

Table 2

IKNO parameters for the three different ultra-stable settings shown in Fig. 2.

Power and energy values are calculated for the bending-magnet horizontal acceptance of 100 mrad and integrated from 1 to 100 cm⁻¹.

	Natural bunch length (r.m.s.) (ps)	Momentum compaction	Total stored current (mA)	Current per bunch (μA)	Total CSR power (W)	Pulse peak power (kW)	Energy per pulse (nJ)
SET 1	1.0	4.5×10^{-4}	29.7	99.0	8.6	~2.3	5.7
SET 2	2.0	1.8×10^{-3}	151	502	73.5	~9.8	49
SET 3	3.0	4.0×10^{-3}	380	1265	219	~19	146

CIRCE (Barry *et al.*, 2002; Byrd *et al.*, 2004, 2005b; Nishimura *et al.*, 2004; De Santis *et al.*, 2003) where each of the dipoles can accommodate up to three beamline front ends with the very large horizontal and vertical acceptances of 100 mrad and 140 mrad, respectively, for a potential of 36 total bending-magnet beamlines.

Two of the 3.1 m straight sections are occupied by the RF system and by the injection. The remaining four can be advantageously used for insertion-device beamlines. A few appealing possibilities are described in §4.

3. Ultra-stable terahertz CSR mode

IKNO’s principal mode of operation is the ultra-stable CSR mode described by Sannibale *et al.* (2004a,b). This mode allows for the simultaneous combination of high and stable power, features of extreme importance for most of the experiments using terahertz radiation.

Fig. 2 shows the impressive flux of IKNO in the THz region, calculated for three examples of ultra-stable settings, and compared with the flux of a 40 mrad acceptance beamline at the Advanced Light Source (ALS) in Berkeley, a typical third-generation light source. The up to nine orders of magnitude higher flux in the THz region is clearly visible.

In the ultra-stable mode of operation the fields associated with the synchrotron radiation emitted by the electrons in the bending magnets generate a stable distortion of the bunch longitudinal distribution from the usual Gaussian to a sawtooth-like shape with a sharp leading edge (Bane *et al.*,

1995). Such a distribution radiates CSR at frequencies much higher than for the case of a pure Gaussian bunch with the same r.m.s. length.

For a steady and stable flux of photons, fundamental for most of the THz experiments, the current per bunch must be maintained below the microbunching instability threshold (MBI) (Stupakov & Heifets, 2002; Sannibale *et al.*, 2004a,b) in order to avoid the strong CSR THz random bursts associated with the instability.

Table 2 shows the IKNO main parameters and performance for the three different spectra shown in Fig. 2. In the ultra-stable SET 1, the momentum compaction is tuned to a lower value to generate a shorter natural bunch length. This reduces the MBI current threshold and thus the CSR intensity, but extends the CSR spectrum towards higher frequencies. In SET 3, a larger momentum compaction increases the threshold for the burst instability allowing for more current per bunch and more CSR power at the cost of a reduced bandwidth. Finally, SET 2 represents an example of a situation in between the two previous modes.

Electromagnetic shielding effects owing to the conductive vacuum chamber can jeopardize the CSR performance of a ring-based source. The curves in Fig. 2 have been calculated assuming no shielding in the dipole vacuum chamber. This situation can be realistically achieved by a proper choice of the bending-magnet vacuum chamber vertical half-height *h* according to the criterion (Murphy *et al.*, 1997; Sannibale *et al.*, 2004a,b)

$$\frac{\sigma_{z0}}{\lambda_{\text{Cutoff}}} = \sigma_{z0} \frac{\rho^{1/2}}{2h^{3/2}} < 0.2,$$

where σ_{z0} is the natural bunch length, ρ is the bending radius and λ_{Cutoff} is the dipole vacuum chamber cut-off wavelength. The SET 3 ultra-stable mode of operation for IKNO has the longest bunches (3 ps) and represents the worst case from the chamber shielding point of view. A bending-magnet vacuum chamber half-height of at least 1.9 cm is required for making the shielding effects negligible for this case. Conservatively, we assume $h = 2.5$ cm that gives a long wavelength cut-off $\lambda_{\text{Cutoff}} \simeq 7$ mm or equivalently $f_{\text{Cutoff}} \simeq 0.04$ THz.

It has been shown that in addition to the shielding effects the resistive wall impedance of the ring must also be contained in order to preserve the CSR performance (Sannibale *et al.*, 2004a,b). For this reason the use of a high-conductivity material such as aluminium for the vacuum chamber is preferable.

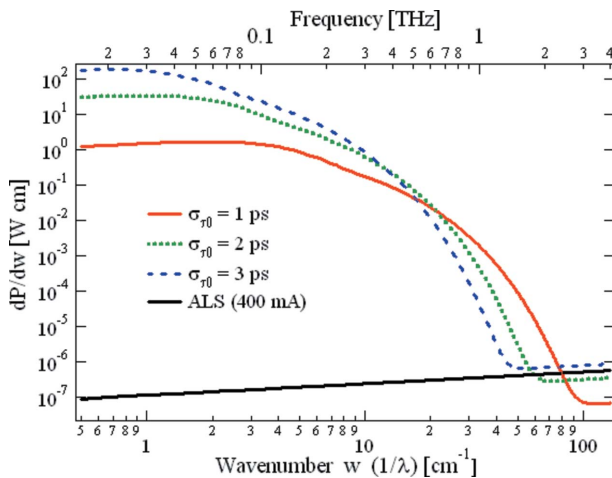


Figure 2

IKNO photon flux in the ultra-stable mode for the single bending-magnet port with 100 mrad horizontal acceptance.

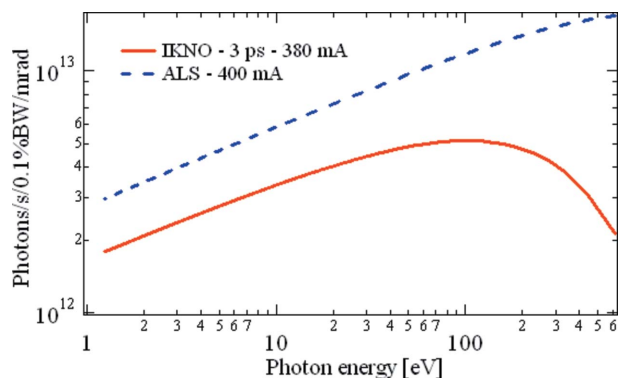


Figure 3 Bending-magnet synchrotron radiation high-frequency spectrum for IKNO compared with that for the ALS.

The solid line in Fig. 3 shows the incoherent higher-frequency part of the spectrum of the radiation from a bending magnet when IKNO is operated in the 3 ps ultra-stable mode of operation. The comparison with the ALS case (dashed line) shows that the photon flux up to energies of 50 eV is only about two times smaller than that of the much higher electron energy (and much more expensive) ALS ring.

4. Exploiting the straight sections

Insertion devices such as undulators optimized for the generation of radiation in the UV–VUV range can be naturally inserted into the 3.1 m IKNO straight sections. Fig. 4 shows an example of the significant photon flux obtainable by a 2.72 m-long 8 cm-period device when the ring is operated in the 3 ps ultra-stable mode.

In one of the straight sections it is also possible to include an undulator magnet to allow femtosecond laser modulation of the electron beam (Zholents & Zolotarev, 1996). In this scheme a short laser pulse in the visible or in the near IR is propagated together with the electron beam in the undulator and modulates the energy of the electrons in a short slice (~100 fs) of the bunch. Owing to the ring longitudinal dispersion (non-zero momentum compaction), the particles in the slice are displaced and create a density modulation in the

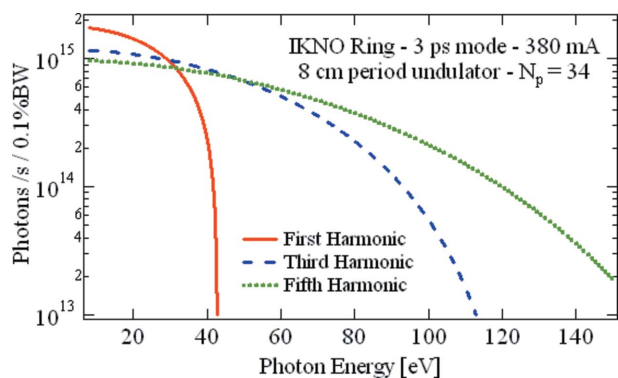


Figure 4 Example of undulator photon flux for IKNO in the UV range when the ring is operating in the ultra-stable CSR mode with 3 ps natural bunch length.

bunch longitudinal distribution when the beam propagates along the storage ring. Such a modulation radiates an intense short pulse of THz CSR which is intrinsically synchronous with the slicing laser pulse. Calculations performed for CIRCE (Barry *et al.*, 2002) showed that, if properly tuned, this scheme is capable of generating sub-picosecond THz CSR pulses with energy per pulse approaching 10 μJ and with the spectrum extending up to a few tens of THz. The repetition rate in this technique is limited by the power available in the modulating laser and can achieve, with the present laser technology and for acceptable costs, tens of kHz. The simultaneous presence of the two synchronous pulses (the THz CSR pulse and that visible from the modulating laser) opens the possibility for pump-and-probe experiments with sub-picosecond resolution.

In a more exotic scheme, by slicing the beam when the current in the bunch is above the MBI threshold, it is possible to seed and control the instability onset. In this situation the instability gain can be exploited to significantly increase the power of the radiated CSR (Heifets & Stupakov, 2006; Byrd *et al.*, 2006b).

5. The IKNO Laboratory

IKNO is also the name of the Italian infrastructure proposed in Sardinia to host this new high-performance electron storage ring. The project for the facility (Curedda & Pusceddu, 2007) has been submitted to the Italian Roadmap of the Research Infrastructure (<https://roadmap.miur.cineca.it/>). The IKNO complex is designed to be completely autonomous and includes offices, preparation laboratories and everything else required for the operation of the facility and assistance to the users. Fig. 5 shows a top view of the storage-ring building of the IKNO facility. The storage-ring area is clearly visible, together with a number of possible beamlines and experimental areas located on the plane of the ring. The figure also shows the tunnel designed to accommodate the linear accelerator (linac) used for the injection of the electrons in the ring

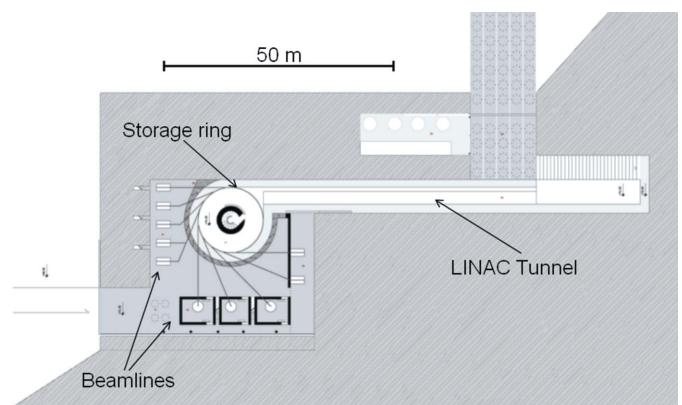


Figure 5 Top view of a possible layout for the storage-ring building, showing the tunnel for the linac (the linear accelerator used for injecting the beam into the storage ring), the storage-ring hall, and some of the beamlines and experimental areas in the storage-ring plane. Also shown are some of the laboratories and structures required for operation of the facility.

at the energy of operation. The linac solution allows for a more flexible injection scheme but is more expensive with respect to the 'classical' scheme using a lower-energy small linac in combination with a 'booster' ring that accelerates the electrons to the operation energy before injection into the storage ring. The decision on what injection configuration to use is still under evaluation.

6. Conclusions

IKNO is a proposal for a synchrotron radiation facility to be built in Sardinia, Italy, which includes a storage-ring-based source optimized for the generation of CSR in the terahertz frequency range. This under-exploited region of the electromagnetic spectrum offers research opportunities that only high-brightness large-scale facilities may be allowed to reach. The revolutionary performance of IKNO in terms of photon flux offers opportunities in physics, chemistry, biology, medicine and materials science and opens new exciting research opportunities in space applications, imaging, engineering and homeland security. In addition, and simultaneously to the terahertz CSR generation, IKNO also produces an incoherent photon flux extending up to the VUV frequencies and comparable with that of existing third-generation light sources. IKNO is a real multi-user facility that accommodates a large number of bending-magnet beamlines plus several insertion devices for further extending and improving the performance of the source.

References

- Abo-Bakr, M., Feikes, J., Holldack, K., Kuske, P., Peatman, W. B., Schade, U., Wüstefeld, G. & Hübers, H.-W. (2003b). *Phys. Rev. Lett.* **90**, 094801.
- Abo-Bakr, M., Feikes, J., Holldack, K., Kuske, P. & Wüstefeld, G. (2003a). *Proceedings of the 2003 Particle Accelerator Conference*, Portland, OR, USA, pp. 3023–3025.
- Abo-Bakr, M., Feikes, J., Holldack, K., Wüstefeld, G. & Hübers, H.-W. (2002). *Phys. Rev. Lett.* **88**, 254801.
- Bane, C., Krinsky, S. & Murphy, J. B. (1995). *AIP Proc.* **367**, 191–199.
- Barry, W. C. *et al.* (2002). *Proceedings of the 2002 European Particle Accelerator Conference (EPAC02)*, La Villette, Paris, France, pp. 656–658.
- Bielawski, S., Evain, C., Hara, T., Hosaka, M., Katoh, M., Kimura, S., Mochihashi, A., Shimada, M., Szwej, C., Takahashi, T. & Takashima, Y. (2008). *Nat. Phys.* **4**, 390–393.
- Byrd, J. M., Hao, Z., Martin, M. C., Robin, D. S., Sannibale, F., Schoenlein, R. W., Zholents, A. A. & Zolotarev, M. S. (2005). *Proceedings of the 2005 Particle Accelerator Conference*, Knoxville, TN, USA, pp. 3682–3684.
- Byrd, J. M., Hao, Z., Martin, M. C., Robin, D. S., Sannibale, F., Schoenlein, R. W., Zholents, A. A. & Zolotarev, M. S. (2006a). *Phys. Rev. Lett.* **96**, 164801.
- Byrd, J. M., Hao, Z., Martin, M. C., Robin, D. S., Sannibale, F., Schoenlein, R. W., Zholents, A. A. & Zolotarev, M. S. (2006b). *Phys. Rev. Lett.* **97**, 074802.
- Byrd, J. M., Leemans, W. P., Loftsdóttir, A., Marcellis, B., Martin, M. C., McKinney, W. R., Sannibale, F., Scarvie, T. & Steier, C. (2002). *Phys. Rev. Lett.* **89**, 224801.
- Byrd, J. M., Martin, M. C., McKinney, W. R., Munson, D. V., Nishimura, H., Robin, D. S., Sannibale, F., Schlueter, R. D., Thur, W. G., Jung, J. Y. & Wan, W. (2004). *Infrared Phys. Technol.* **45**, 325–330.
- Byrd, J. M., Martin, M. C. & Sannibale, F. (2005b). *CERN Courier*, **45**(7), 39–42.
- Carr, G. L., Martin, M. C., McKinney, W. R., Jordan, K., Neil, G. R. & Williams, G. P. (2002). *Nature (London)*, **420**, 153–156.
- Curedda, D. & Pusceddu, F. (2007). Laurea Thesis, Sassari University, Italy.
- De Santis, S., Byrd, J. M., Li, D. & Sannibale, F. (2003). CIRCE Note LSCN-IF-1. Lawrence Berkeley National Laboratory, Berkeley, CA, USA.
- Heifets, S. & Stupakov, G. (2006). SLAC-PUB-11815. SLAC, Stanford, CA, USA.
- Holldack, K., Kachel, T., Khan, S., Mitzner, R. & Quast, T. (2005). *Phys. Rev. ST AB*, **8**, 040704.
- Holldack, K., Khan, S., Mitzner, R. & Quast, T. (2006). *Phys. Rev. Lett.* **96**, 054801.
- Murphy, J. B., Krinsky, S. & Gluckstern, R. (1997). *Part. Accel.* **57**, 9–21.
- Nishimura, H., Robin, D., Sannibale, F. & Wan, W. (2004). *Proceedings of the 2004 European Particle Accelerator Conference*, Lucerne, Switzerland, pp. 2182–2184.
- Sannibale, F., Byrd, J. M., Loftsdóttir, Á., Venturini, M., Abo-Bakr, M., Feikes, J., Holldack, K., Kuske, P., Wüstefeld, G., Hübers, H.-W. & Warnock, R. (2004a). *Phys. Rev. Lett.* **93**, 094801.
- Sannibale, F., Byrd, J. M., Loftsdóttir, Á., Venturini, M., Abo-Bakr, M., Feikes, J., Holldack, K., Kuske, P., Wüstefeld, G., Hübers, H.-W. & Warnock, R. (2004b). *ICFA Beam Dynam. Newsl.* **35**, 27–39.
- Shen, Y., Watanabe, T., Arena, D. A., Kao, C.-C., Murphy, J. B., Tsang, T. Y., Wang, X. J. & Carr, G. L. (2007). *Phys. Rev. Lett.* **99**, 043901.
- Sherwin, M. S., Schmittenmaer, C. A. & Bucksbaum, P. H. (2004). *Opportunities in THz Science*, DOE-NSF-NIH Workshop, Arlington, VA, USA, February 2004 (http://www.sc.doe.gov/bes/reports/files/THz_rpt.pdf).
- Stupakov, G. & Heifets, S. (2002). *Phys. Rev. ST AB*, **5**, 054402.
- Venturini, M. & Warnock, R. (2002). *Phys. Rev. Lett.* **89**, 224802.
- Zholents, A. A. & Zolotarev, M. S. (1996). *Phys. Rev. Lett.* **76**, 912.